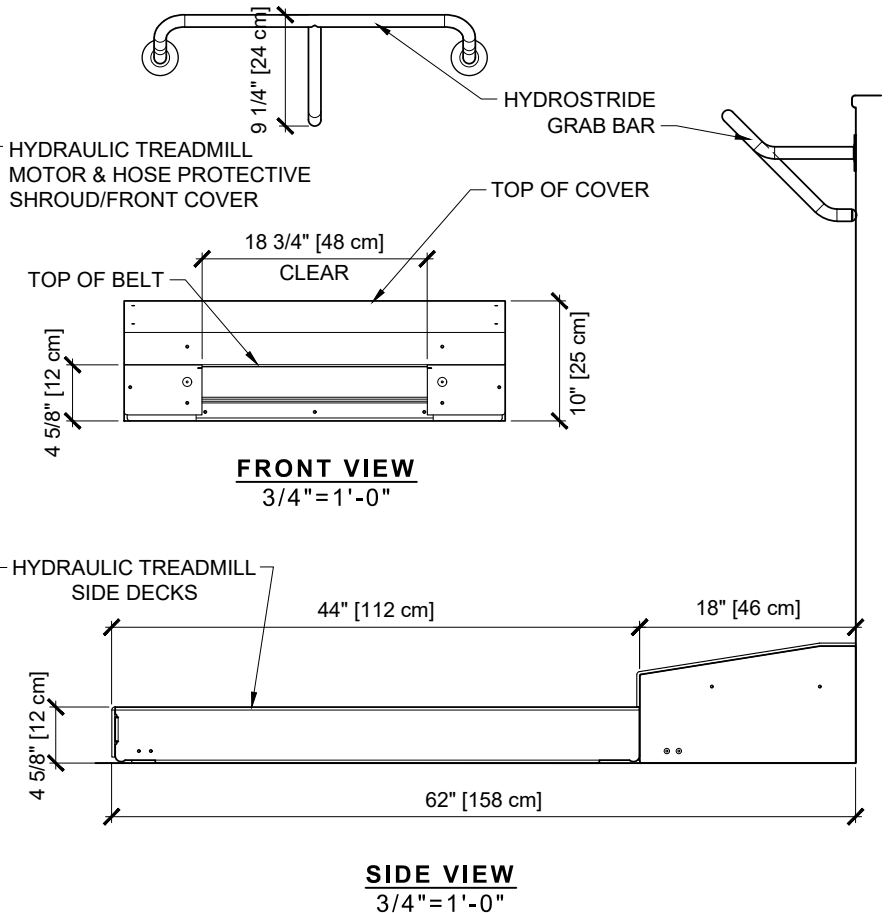
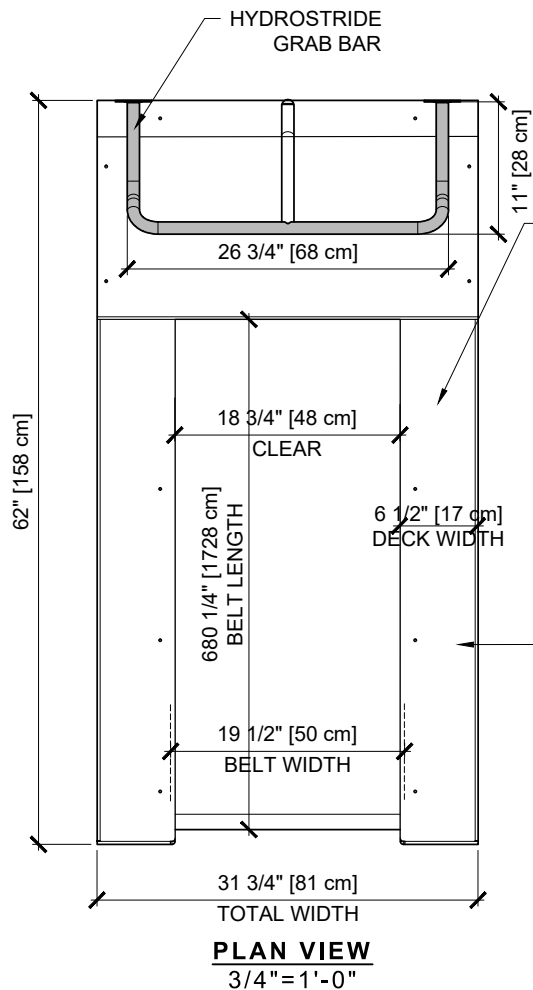
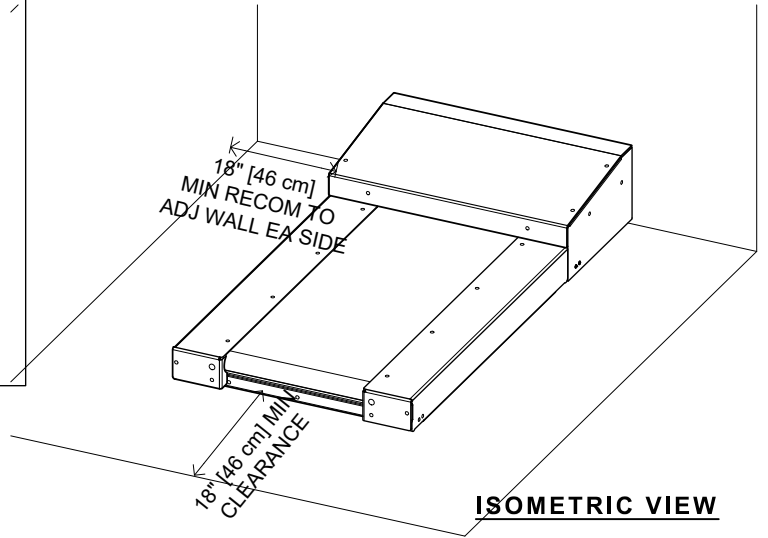


**NOTES:**

1. THE WATER DEPTH WHERE THE HYDROSTRIDE IS INSTALLED IS BASED UPON THE HEIGHT and PREFERENCE OF THE END USER. IT'S RECOMMENDED THAT THE WATER LINE ON THE USER IS HIGHER THAN THE WAIST, BUT LOWER THAN THE SHOULDERS.
2. CONSIDERATIONS MUST BE MADE FOR THE ROUTE OF THE HYDRAULIC HOSES TO RUN THRU THE POOL WALL and BACK TO THE REMOTELY LOCATED POWER UNIT. FLEXIBLE PVC NEEDS TO BE ROUTED ABOVE THE WATER LINE.
3. THE POWER UNIT IS TYPICALLY LOCATED WITH THE REST OF THE POOL EQUIPMENT. IT MUST BE INSTALLED ON A SOLID LEVEL SURFACE IN A DRY AREA.
4. THE HYDROSTRIDE ATTACHES DIRECTLY TO THE POOL WALL WITH THE USE OF A WALL MOUNTING BRACKET, INSTALLED IN A NEW OR REFURBISHED POOL and CAN REST ON or BE RECESSED IN SOME POOL FLOORS.
5. **LEASE SEE THE HYDROSTRIDE INSTALLATION MANUAL FOR MORE DETAILS.**



**HYDROSTRIDE  
SHOWN WITH A HANDLEBAR  
GENERAL INFORMATION  
TREADMILL DETAIL**

DETAIL NUMBER:

**EP-9.8B**

DATE: 2020/01/24